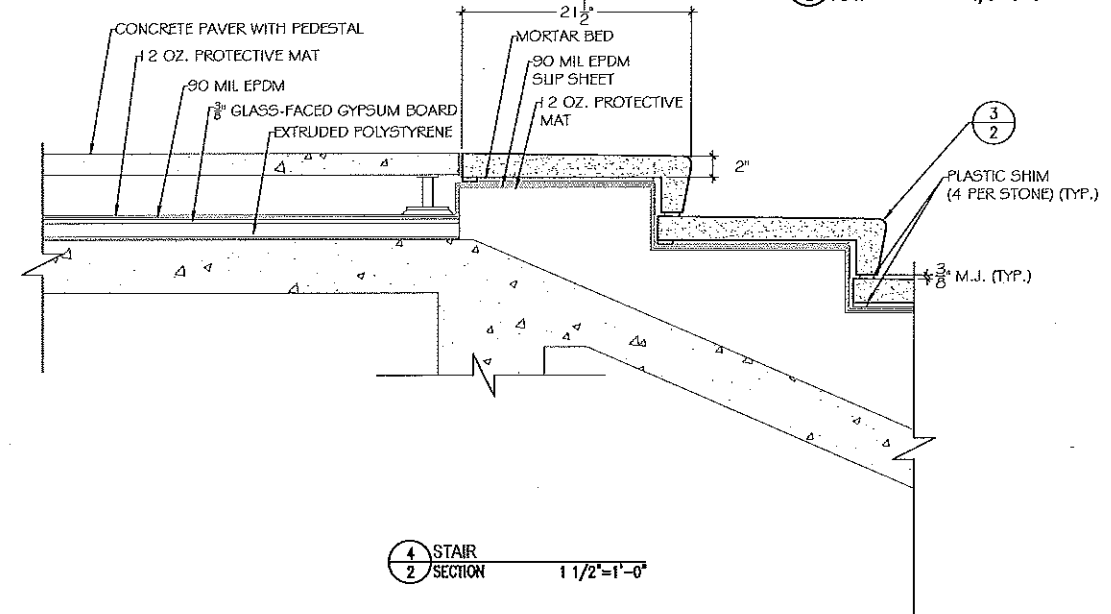
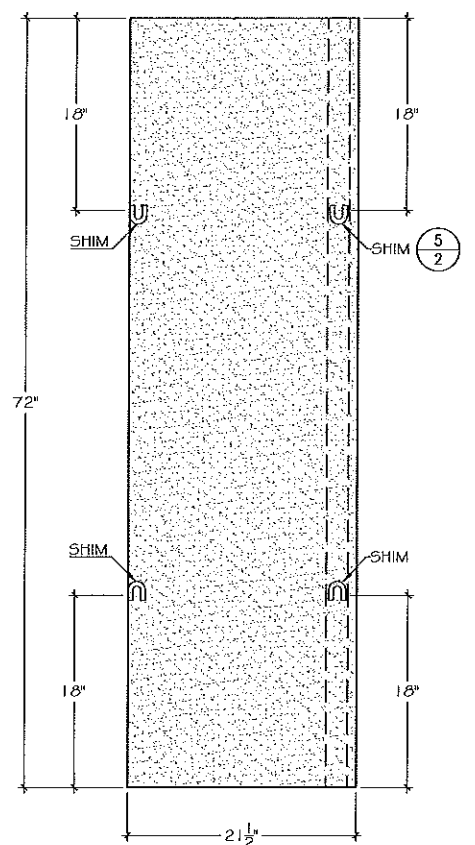


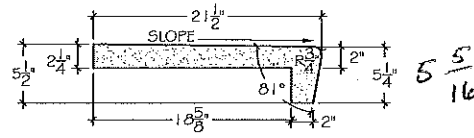
1 TERRACE AND STAIRS
2 PLAN 1/8"=1'-0"



4 STAIR
2 SECTION 1 1/2"=1'-0"



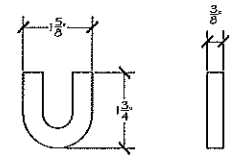
2 TYPICAL SHIM LOCATIONS
2 PLAN 1 1/2"=1'-0"



3 STAIR TREAD
2 PROFILE 1 1/2"=1'-0"

Paul
could we make the fall/slope 3/16" instead of 1/4" ?
other than that its a go.

Russell Ray
Project SERVICES
3/28/17



5 PLASTIC SHIM
2 1"=2"

NO.	REVISIONS DESCRIPTION	DATE
1	ADJUSTED RISE HEIGHT	17MAR2017
2	COLOR ADDED	23MAR2017

DRAWN BY	DATE
JC	23 MAR 2017

VIRGINIA CAST STONE
1720 HARDING AVENUE
WAYNESBORO, VIRGINIA 22980
PHONE: 540.943.9808 FAX: 540.943.0510

UNIVERSITY OF VIRGINIA
CLEMONS LIBRARY
NEWCOMB ROAD N.
CHARLOTTESVILLE, VIRGINIA

APPROVAL DRAWINGS	JOB NUMBER	SHEET NUMBER
6057	6057	2
		OF 2

FC = FIELD CUT
FM = FIELD MITER
COLOR: BUFF 2222 A-2
FINISH: 03 45 00

APPROVAL DRAWING

APPROVED AS SUBMITTED
 APPROVED AS CORRECTED
 REVISE & RESUBMIT

NAME: _____
DATE: _____

PRODUCTION WILL START
UPON VIRGINIA CAST STONE
RECEIVING SIGNED
APPROVAL DRAWINGS